

# DATA SHEET

ITEM NO. 10019335

Mains switch box

POWER Backup 63 VERTO PLUS EU

Designation	POWER Backup 63 VERTO PLUS EU
Application	For the Fronius Verto Plus "Full Backup" system
Region	EU 25 (except Germany and Italy)
Mains disconnection	All-pole or three-pole disconnection (initially configurable using jumpers)
Net shape	3PH 230/400V - TN-C/TN-S or TT networks; <b>NO</b> TN-C network in the customer system!
Hybrid inverter	VERTO PLUS 15.0/17.5/20.0/25.0/30.0/33.3
Control & monitoring	Fronius Smart Meter TS65A-3 - "Touchscreen" is integrated

All values in [mm]

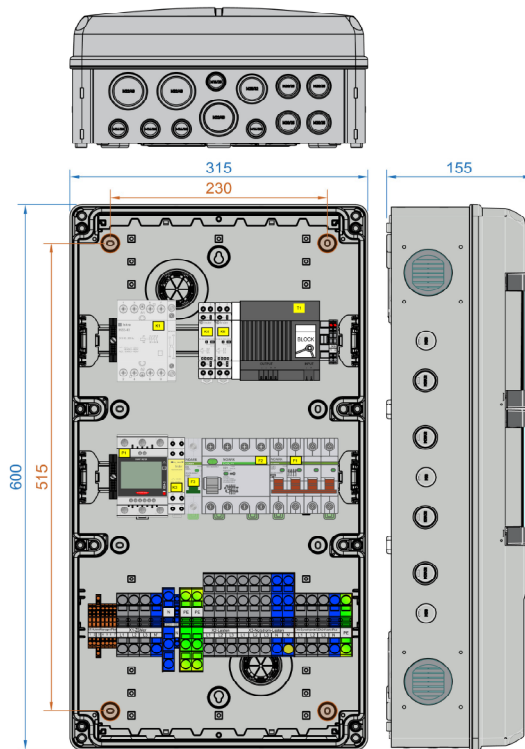
Dimensions "blue"

Fastening points "orange"

Internal arrangement and components may differ depending on the variant!

### Minimum distances

above	200
below	200
lateral	200
front	800



For other languages please scan the QR code!

## SCOPE OF DELIVERY

Quantity	Designation
1	Mains switch box
1	Installation instructions
1	Operating instructions Fronius Smart Meter
1	Operating instructions Power supply unit
1	Circuit diagram DIN A3
1 set	Cover caps for fastening screws

Quantity	Designation
3	TS65A-3M40 cable gland incl. locknut
1	M32 cable gland incl. locknut
2	M20 cable gland incl. lock nut
1 set	Jumpers (for mains isolation configuration)
1	Emergency power sticker Fronius
1	"Dangerous voltage" warning sticker

Status: (a)

The text and illustrations correspond to the technical status at the time of printing and are subject to change without notice. Despite careful editing, all information is provided without guarantee. Liability is excluded.

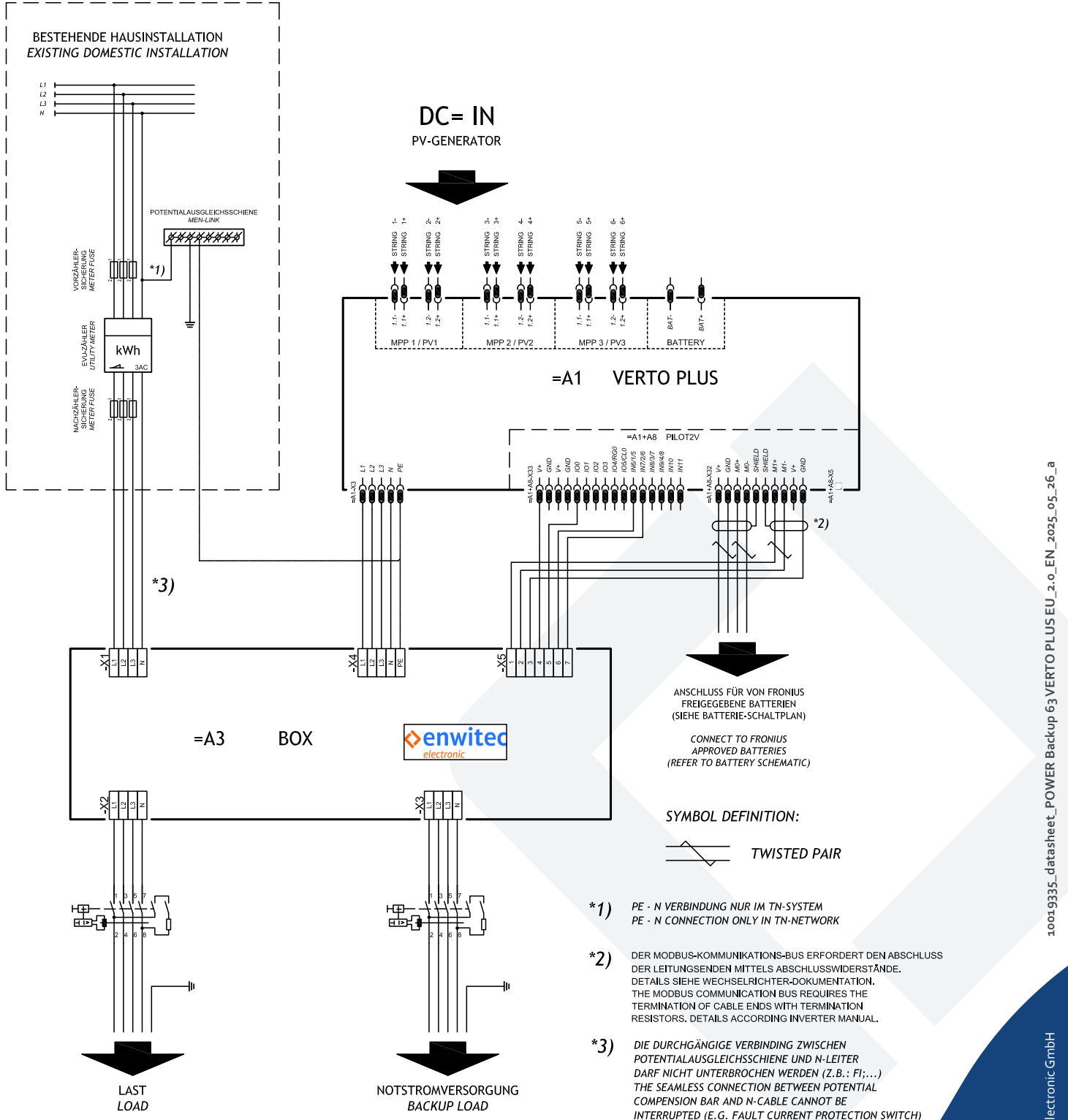
# DATA SHEET

ITEM NO. 10019335

Mains switch box

POWER Backup 63 VERTO PLUS EU

## WIRING ENVIRONMENT VERTO PLUS



Status: (a)

The text and illustrations correspond to the technical status at the time of printing and are subject to change without notice. Despite careful editing, all information is provided without guarantee. Liability is excluded.

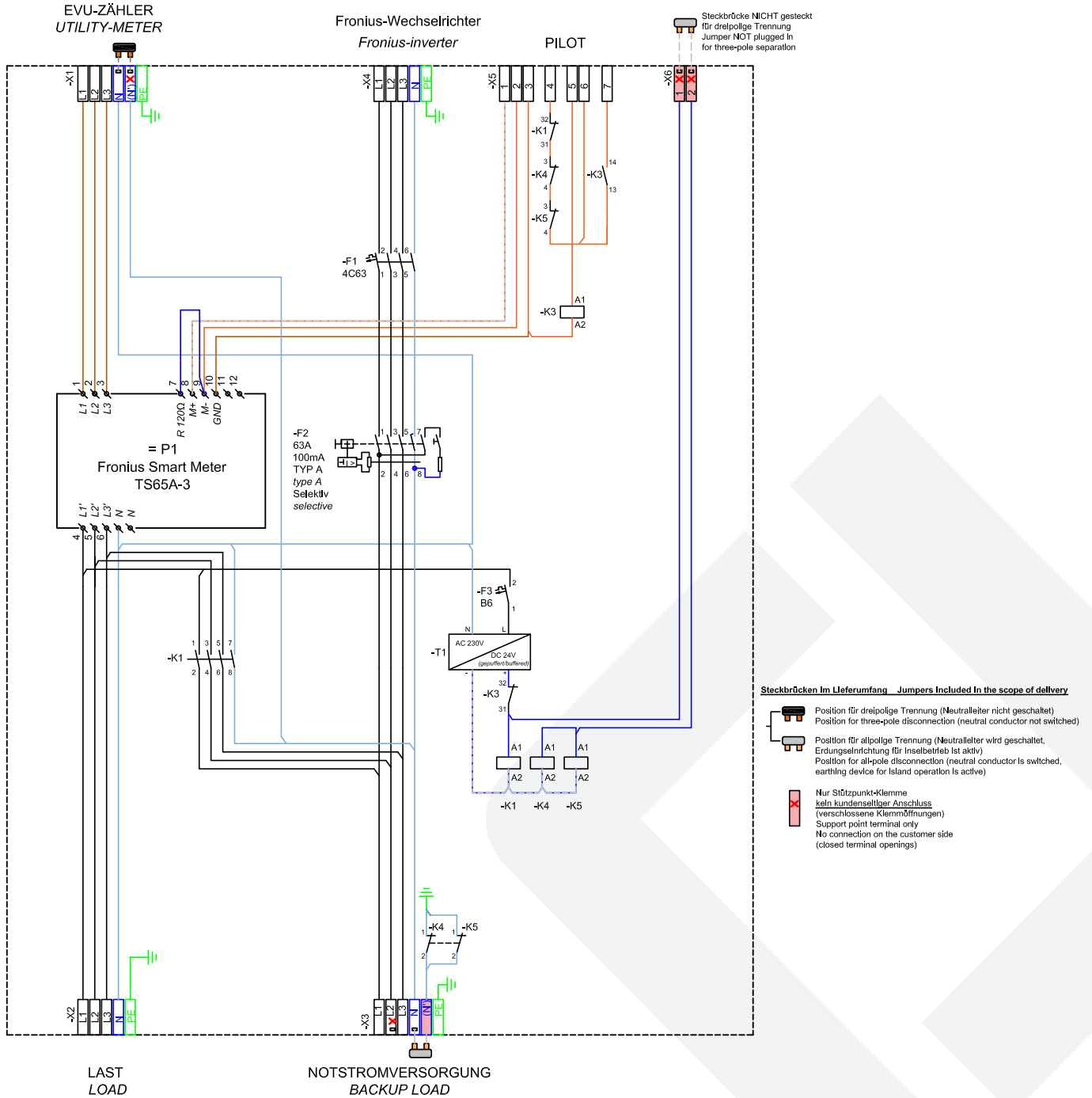
# DATA SHEET

ITEM NO. 10019335

Mains switch box

POWER Backup 63 VERTO PLUS EU

## INTERNAL WIRING



10019335\_datasheet\_POWER Backup 63 VERTO PLUS EU\_2.o\_EN\_2025\_05\_26\_a

Status: (a)

The text and illustrations correspond to the technical status at the time of printing and are subject to change without notice. Despite careful editing, all information is provided without guarantee. Liability is excluded.

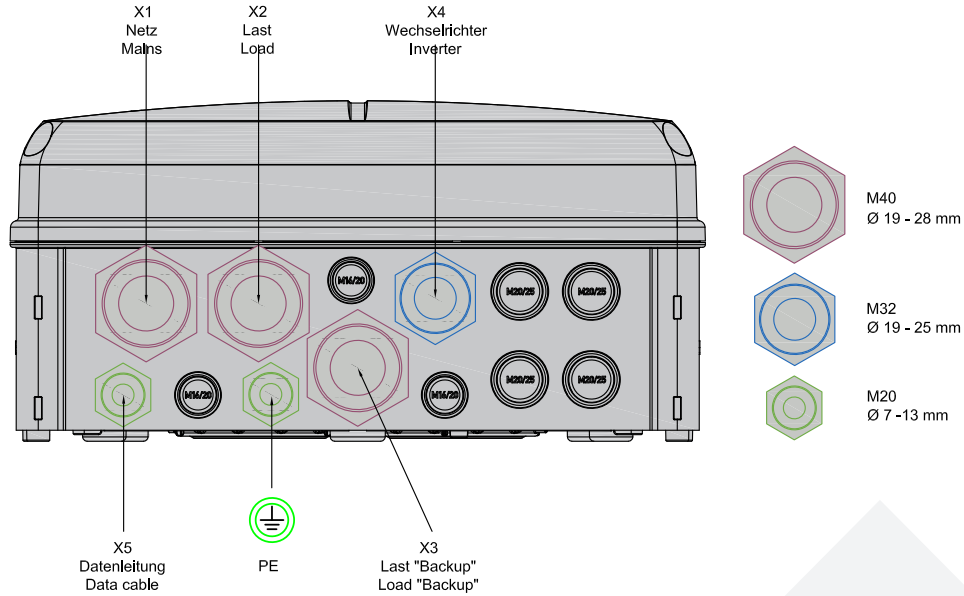
# DATA SHEET

ITEM NO. 10019335

Mains switch box

POWER Backup 63 VERTO PLUS EU

## CABLE ENTRY AND CONNECTIONS



Cable gland	Terminal strip	Clamping range [mm]	Strand type	max. cross-section [mm <sup>2</sup> ]	Stripping length [mm]
M40	X1 - Mains	19 - 28	solid finely stranded finely stranded with ferrule	16 25 16	18 - 20
M40	X2 - Load	19 - 28	solid finely stranded finely stranded with ferrule	16 25 16	18 - 20
M40	X3 - Last "Backup"	19 - 28	solid finely stranded finely stranded with ferrule	16 25 16	18 - 20
M32	X4 - Fronius inverter	19 - 25	solid finely stranded finely stranded with ferrule	16 25 16	18 - 20
M20	X5 - Data line	7 - 13	solid finely stranded finely stranded with ferrule	2,5 2,5 1,5	9 - 11
M20	PE - potential equalisation	7 - 13	solid finely stranded finely stranded with ferrule	16 25 16	18 - 20

Status: (a)

The text and illustrations correspond to the technical status at the time of printing and are subject to change without notice. Despite careful editing, all information is provided without guarantee. Liability is excluded.

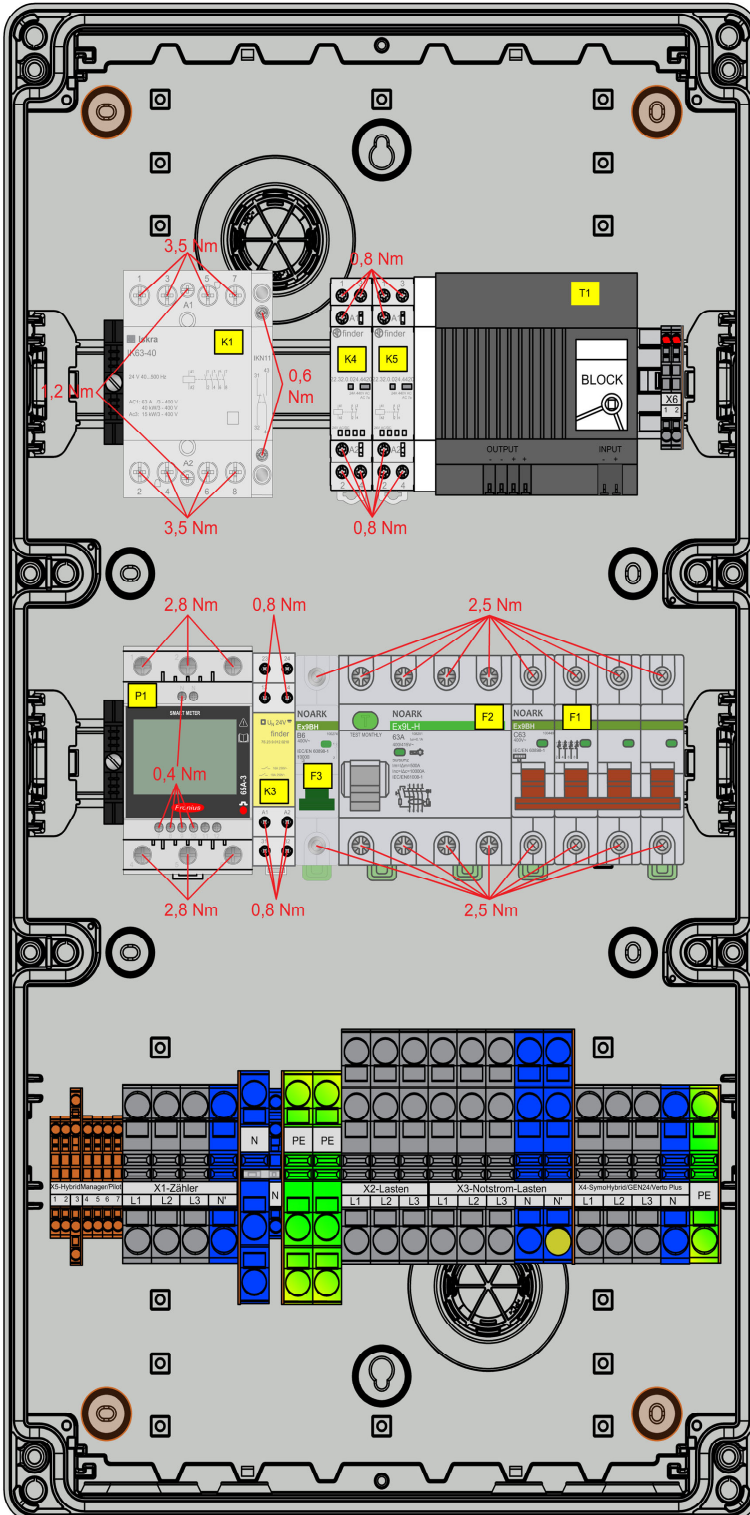
# DATA SHEET

ITEM NO. 10019335

Mains switch box

POWER Backup 63 VERTO PLUS EU

## TORQUES



Status: (a)

The text and illustrations correspond to the technical status at the time of printing and are subject to change without notice. Despite careful editing, all information is provided without guarantee. Liability is excluded.

# DATA SHEET

ITEM NO. 10019335

Mains switch box

POWER Backup 63 VERTO PLUS EU

## TECHNICAL DATA

NOMINAL VALUES		• applicable / - not applicable	
Rated voltage	[V]	3PH - 230/400	
Rated insulation voltage	[V]	400	
Operating frequency	[Hz]	50 +/- 5%	
Max. prospective short-circuit current	[nA]	10	
Permitted net shape		TN-C/S/TT/TN-S	
Mains disconnection		all-pole or three-pole	
Max. mains-side back-up fuse	[A]	63	
Max. thermal throughput $t_a = 40^\circ\text{C}$	[kW]	35	
Standby losses, approx.	[W]	16	

CIRCUIT BREAKERS AND RESIDUAL CURRENT CIRCUIT BREAKERS			
F1	Verto Plus	MCB[A]	4C63
F2	Verto Plus	RCD[A]	Type A - selective, 63/0.1
F3	Mains" control circuit	[A]	B6

CONTACTORS (IEC/EN 61095; IEC/EN60947-1; IEC 60947-5-1)			
K1	Mains disconnection	AC1 [A]	63
K4/K5	Earthing device	AC1 [A]	25
K3	Communication	AC1 [A]	10
K1/K4/K5	Control voltage	[V]	24
K3	Control voltage	[V]	12
Hum-free			•

FRT SUPPORT		
Manufacturer		Block B2302022
Power supply unit (buffered)	[VDC]	24

\* is the maximum, unaffected continuous short-circuit current of the mains connection.

Status: (a)

The text and illustrations correspond to the technical status at the time of printing and are subject to change without notice. Despite careful editing, all information is provided without guarantee. Liability is excluded.

# DATA SHEET





ITEM NO. 10019335

Mains switch box

POWER Backup 63 VERTO PLUS EU

## TECHNICAL DATA

ENERGY COUNTERS	• applicable / - not applicable
Manufacturer	Fronius
Type	TS65A-3

CONFIGURATION MAINS DISCONNECTION USING PLUG-IN CONNECTORS (included in the scope of delivery)		
THREE-POLE		
X1 - plugged between N-N'	16(25) mm <sup>2</sup>	
X6 - not plugged in	1.5(2.5) mm <sup>2</sup>	
ALLPOLIG		
X3 - plugged between N-N'	16(25) mm <sup>2</sup>	
X6 - plugged between 1-2	1.5(2.5) mm <sup>2</sup>	

Status: (a)

The text and illustrations correspond to the technical status at the time of printing and are subject to change without notice. Despite careful editing, all information is provided without guarantee. Liability is excluded.

# DATA SHEET

ITEM NO. 10019335

Mains switch box

POWER Backup 63 VERTO PLUS EU

## TECHNICAL DATA

GENERAL		• applicable / - not applicable
Dimensions WxHxD (without screw connections)	[mm]	315 x 600 x 155
Weight, approx.	[kg]	7,8
Operating temperature range	[°C]	-5...+35
Temperature - transport/storage (24 hours 70°C)	[°C]	-25...+55
Humidity - condensing permitted		-
Humidity - permissible range	[%]	5...60
max. installation height above N.N.	[m]	2000
Protection class IP (EN 60529) $t_a = 40^\circ\text{C}$		30
Outdoor suitability (protected area)		-
Installation type		Indoor area
Protection class (EN 61140)		II
Housing material		Polycarbonate
RoHS-compliant (2011/65/EU)		•
Housing colour		similar to RAL 7035
Lid		transparent
Mounting type		wall mounting
Closure type		without tools
OTHER		
Customs tariff number		85371098

Status: (a)

The text and illustrations correspond to the technical status at the time of printing and are subject to change without notice. Despite careful editing, all information is provided without guarantee. Liability is excluded.